



PLEASE READ THE ENTIRE CONTENTS OF THIS MANUAL PRIOR TO INSTALLATION AND OPERATION. BY PROCEEDING YOU AGREE THAT YOU FULLY UNDERSTAND AND COMPREHEND THE FULL CONTENTS OF THIS MANUAL. FORWARD THIS MANUAL TO ALL OPERATORS. FAILURE TO OPERATE THIS EQUIPMENT AS DIRECTED MAY CAUSE INJURY OR DEATH.

REV A 05-20-09

ASSEMBLY AND OPERATION MANUAL

OIL FILTER / CAN CRUSHER

MODEL: RP-20FC



READ FIRST



Do not operate this machine until you read and understand all the dangers, warnings and cautions in this manual.

Keep this operation manual near the machine at all times. Make sure that ALL USERS read this manual.

SHIPPING DAMAGE CLAIMS

When this equipment is shipped, title passes to the purchaser upon receipt from the carrier. Consequently, claims for the material damaged in shipment must be made by the purchaser against the transportation company at the time shipment is received.

BE SAFE

Your new Oil Filter/ Can Crusher was designed and built with safety in mind. However, your overall safety can be increased by proper training and thoughtful operation on the part of the operator.

DO NOT operate or repair this equipment without reading this manual and the important safety instructions shown inside.



1645 Lemonwood Dr.
Santa Paula, CA. 93060, USA
Toll Free 1-800-253-2363
Tel: 1-805-933-9970
Fax: 1-805-933-9160
www.rangerproducts.com

RP -20FC OIL FILTER / CAN CRUSHER

WARRANTY POLICY

Ranger Products™ are backed by over 35 years of manufacturing experience. Every Oil Filter / Can Crusher bearing the Ranger™ name is sold with the following warranty.

- Each Ranger Product™ is warranted to be free from defects in workmanship and material for a period of one year from the date of shipment provided that a written claim for such defect is made within that time.
- This warranty does not cover damage or defects caused by carelessness of the operator, misuse, abuse or abnormal use which in any way impairs the proper functioning of the equipment or by the use or addition of parts not manufactured by Ranger Products™ or its suppliers.

THIS WARRANTY IS EXPRESSLY MADE IN LIEU OF ANY AND ALL OTHER WARRANTIES EXPRESSED OR IMPLIED INCLUDING THE WARRANTIES OF MERCHANTABILITY AND FITNESS OR A PARTICULAR PURPOSE.

If your Ranger Products™ machine is not functioning properly, call your Ranger Products™ dealer immediately. On some occasions, an independent contractor may be hired to do the repairs. Within the warranty period, a customer should not hire his own contractor unless it is authorized in writing by Ranger Products™.

If it is necessary to return equipment for repairs, your dealer will so advise you. When returning equipment for repairs, see that machines are properly crated and protected, and prepay transportation.

Defective parts replaced at no charge must be returned to your dealer or Ranger Products™ within 60 days of the date that the replacement parts are shipped; otherwise, you must pay for the replacement parts at the current selling price.

OPERATOR PROTECTIVE EQUIPMENT

Personal protective equipment helps keep equipment use safer. However, equipment does not take the place of safe operating practices. Always wear durable work clothing. Shop aprons or shop coats may also be worn, however loose fitting clothing should be avoided. Tight fitting leather gloves are recommended to protect operators. Sturdy leather work shoes with steel toes and oil resistant soles should be used by personnel to help prevent injury in typical shop activities.

Eye protection is essential during installation and operation. Safety glasses with side shields, goggles, or face shields are acceptable. Back belts provide support during lifting activities and are also helpful in providing operator protection. Consideration should also be given to the use of hearing protection if activity is performed in an enclosed area, or if noise levels are high.



OWNER'S RESPONSIBILITY

To maintain machine and user safety, the responsibility of the owner is to read and follow these instructions:

- ◆ Follow all installation instructions.
- ◆ Make sure installation conforms to all applicable Local, State, and Federal Codes, Rules, and Regulations; such as State and Federal OSHA Regulations and Electrical Codes.
- ◆ Carefully check the unit for correct initial function.
- ◆ Read and follow the safety instructions. Keep them readily available for machine operators.
- ◆ Make certain all operators are properly trained, know how to safely and correctly operate the unit, and are properly supervised.
- ◆ Allow unit operation only with all parts in place and operating safely.
- ◆ Carefully inspect the unit on a regular basis and perform all maintenance as required.
- ◆ Service and maintain the unit only with authorized or approved replacement parts.
- ◆ Keep all instructions permanently with the unit and all decal's on the unit clean and visible.

IMPORTANT SAFETY INSTRUCTIONS

MAKE SURE TO READ AND UNDERSTAND ALL INSTRUCTIONS AND SAFETY PRECAUTIONS AS OUTLINED IN THE MANUFACTURER'S SERVICE MANUAL PRIOR TO USING THIS EQUIPMENT.

FAILURE TO FOLLOW THESE INSTRUCTIONS CAN RESULT IN DEATH OR BODILY HARM TO OPERATOR AND/OR BYSTANDERS

- ◆ Never exceed the recommended 125 to 175 PSI working pressure.
- ◆ Keep the crusher out of reach of children and other untrained persons. This press is dangerous in the hands of untrained users.
- ◆ Do not install this press on any asphalt or wood surface. Make sure the press is firmly secured to a dry, oil/grease free, flat, level, concrete surface.
- ◆ Dress properly. Do not wear loose clothing or jewelry. Contain long hair. Keep hair, clothing, and gloves away from moving parts. Loose clothes, jewelry, or long hair increases the risk of injury to persons as a result of being caught in moving parts.
- ◆ Always wear eye protection. Wear ANSI approved safety goggles.
- ◆ Stay alert. Watch what you are doing and use common sense when operating the press. Do not use the press while tired or under the influence of drugs, alcohol, or medication. A moment of inattention while operating the press increases the risk of injury to persons.
- ◆ Always keep your hands, fingers or other body parts safely away from the crushing head during operation.
- ◆ Do not overreach. Keep proper footing and balance at all times. Proper footing and balance enables better control of the press.
- ◆ Do not smoke when operating this unit and do not operate this unit when someone else in the vicinity is smoking.
- ◆ Do not operate the crusher in explosive atmospheres, such as in the presence of flammable liquids, gases, or dust. The press is able to create sparks resulting in the ignition of the dust or fumes.
- ◆ Do not attempt to crush aerosol cans, cylinders of compressed gas, fuel filters, or containers of flammable liquids or solvents.
- ◆ Do not alter or modify any part of this equipment.
- ◆ Always wear suitable industrial gloves when handling crushed objects to prevent injury.
- ◆ Do not stack filters or cans inside the crushing chamber.
- ◆ DO NOT open the door while the unit is operating. Always wait for the press to cycle completely.
- ◆ Clear up any spilled oil immediately so it will not cause a slipping hazard.
- ◆ Keep the work area clean and well lighted. Cluttered benches and dark areas increase the risks of injury to persons.
- ◆ Prior to using the press, make sure all debris and/or tools are removed from inside the press bed area.
- ◆ Once contact between the press head and the filter/can has been made, step away as far as possible and continue to slowly apply pressure until the procedure is completed.
- ◆ Never leave the press in a loaded pressing-down condition. Once the crushing job has been completed, immediately retract the press head then switch the operation lever on the valve body to the neutral/off position.
- ◆ Never attempt to remove a filter or paint can that has become stuck in the moving parts of the press while it is connected to its air supply source.
- ◆ Avoid unintentional starting. Be sure the operation lever on the valve body is positioned to the neutral/off position before connecting to the air supply.
- ◆ Check crusher regularly for proper operation and repair or replace worn or damaged parts immediately. If the crusher appears to be damaged in any way, is badly worn, or operates abnormally it must be removed from use until repairs are made. Use only manufacturer's approved accessories and service parts.
- ◆ Never attempt to service this unit while it is connected to its air supply source.

TOOLS / SUPPLIES REQUIRED

Adjustable wrench or metric open end/combination wrenches, Teflon tape, hammer, drill and bit.
Quick disconnect Air fitting to match your air source.
Bolts and or anchors.

UNPACKING INSTRUCTIONS

1. Use caution when unbolting or unstrapping from shipping pallet. Components are heavy and may have shifted during shipping.

ASSEMBLY INSTRUCTIONS

1. Set the unit on a sturdy bench or table that can support its weight and has provisions for the drain hose and room for an approved waste oil container below the crusher.
(Optional Ranger Oil Filter Crusher Stand is available from your Authorized Ranger Products Dealer. See page 9.)
2. Bolt or lag screw (not provided) the unit to the stand or table.
3. Thread an appropriate fitting for your air supply into the air oil regulator. Use teflon tape on the threads.

AN AIR LINE DRYER MUST BE USED ON THE AIR SUPPLY LINE. FAILURE TO DO SO WILL VOID WARRANTY AND DAMAGE AIR CYLINDER, VALVES AND FITTINGS.

4. Connect air supply line using 1/4 inch air hose with 125 -175 p.s.i. maximum.
5. Ensure the drain hose is connected and an approved waste oil container is in place below the crusher before proceeding.

MAINTENANCE

- ◆ Keep the press clean and free of debris and dirt.
- ◆ All exposed machine surfaces of the press should be brushed clean and wiped with WD-40 or equivalent.
- ◆ Regularly check the air lubricator and water filter for water - drain as required.
- ◆ Regularly clean the press chamber to remove any accumulated sludge, metal particles or other debris that could affect the press operation.
- ◆ Check drain hose for accumulation of debris, and remove any materials that may be clogging the hose.
- ◆ Inspect for leaks and drain the approved Waist Oil Container in accordance with Local, State and Federal regulations.
- ◆ Apply grease to door hinges on a regular basis to prevent the door from binding.
- ◆ Apply motor oil to door latch pivot points on a regular basis to prevent latch from binding.

TECHNICAL SPECIFICATIONS

| | |
|--|--|
| • Overall Height: 29 1/2" / 749 mm. | • Chamber Opening Depth: 11" / 279 mm. |
| • Overall Width: 17" / 432 mm. | • Average cycle time: 15-20 seconds |
| • Overall Depth: 17" / 432 mm. | • Air input: 125-175 PSI |
| • Chamber Opening Height: 10.25" / 260 mm. | • Unit Weight: 228 lbs. / 103 kg. |
| • Chamber Opening Width: 8.25" / 209 mm. | |



WARNING!

The brass components of this product contain lead, a chemical known to the State of California to cause birth defects (or other reproductive harm).



WARNING!

Avoid off-center loads. If the press seems to be laboring more than usual or the filter/can is unusually hard to press, immediately stop operation. Disconnect the press from its air supply source, and inspect or adjust the filter/canto eliminate or diminish an off-center loading condition. Do not operate the press if the filter/canto tilts or binds during the down movement of the press head.

OPERATION



WARNING!

Prior to operation a visual inspection shall be made. Check press for leaks, worn or missing parts. Any press that appears to be damaged in any way, is badly worn, or operates abnormally must be removed from use until repairs are made. Contact a factory authorized service center for repair or maintenance of the press.



WARNING!

Never leave the press in a loaded pressing-down condition. Once the crushing job has been completed, immediately retract the press head then switch the operation lever on the valve body to the neutral/off position.

1. Connect air supply to the air connection fitting. Turn the external air supply on.
 2. Open the door and place empty filter in the center of chamber with the open end down.
 3. Close the door and latch it firmly.
- Important Note:** The door must be closed, to activate control valve.

7. To remove the crushed filter/can, position the knob on the control valve right (counterclockwise). The air will exhaust from the press cylinder and the press head will rise.
8. Open the door to remove the filter/can from the press chamber.



WARNING!

DO NOT open the door while the unit is operating. Always wait for the press to cycle completely.



WARNING!

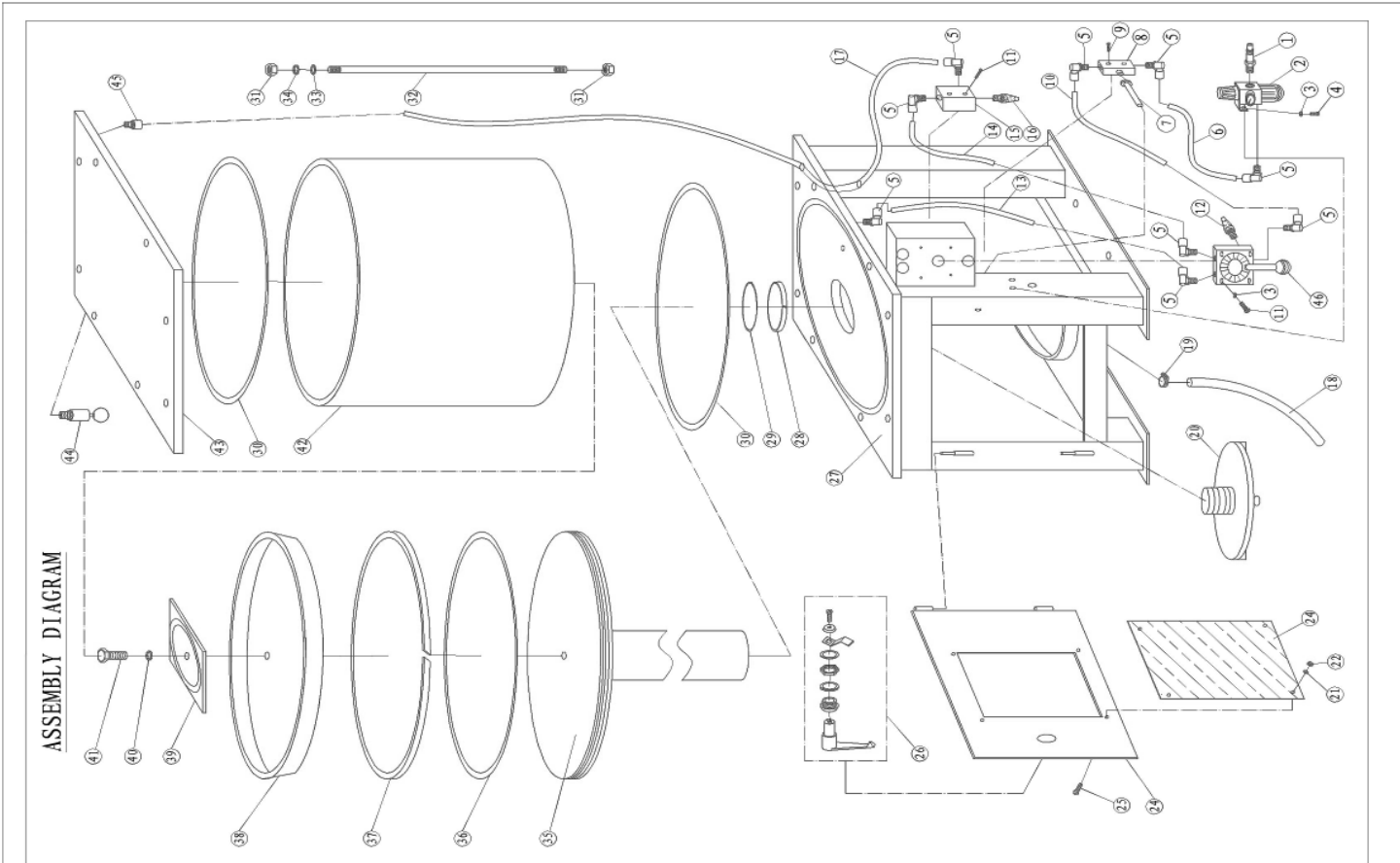
Never attempt to remove a filter or paint can that has become stuck in the moving parts of the press while it is connected to its air supply source.

4. Position the knob on the control valve left (clockwise) to begin press operation.
5. The press head will descend to crush the filter/can.
6. Once contact between the press head and the filter/can has been made, step away as far as possible and continue to slowly apply pressure until the procedure is completed.

9. Place the control valve in "Off" (middle) position when the unit is not in use.

PARTS LIST

| Item | Description | Qty | Item | Description | Qty |
|------|-----------------------|-----|------|---------------------|-----|
| 1 | Connection | 1 | 26 | Lock Assy. | 1 |
| 2 | Regulator with Filter | 1 | 27 | Support Frame Assy. | 1 |
| 3 | Spring Washer M5 | 6 | 28 | Guiding Ring | 1 |
| 4 | Screw M5 x 10 | 2 | 29 | O-Ring 60 x 3.1 | 1 |
| 5 | Connector (1/4") | 9 | 30 | O-Ring 300 x 3.1 | 2 |
| 6 | Air Pipe 1# (8*280mm) | 1 | 31 | Nut M12 | 16 |
| 7 | Air Switch Rod | 1 | 32 | Bar | 8 |
| 8 | Air Switch | 1 | 33 | Washer M12 | 8 |
| 9 | Screw M4*22 | 2 | 34 | Spring Washer M12 | 8 |
| 10 | Air Pipe 2# (8*235mm) | 1 | 35 | Piston Rod Assy. | 1 |
| 11 | Screw M5*30 | 6 | 36 | O-Ring 300 x 5 | 1 |
| 12 | Muffler (1/4") | 1 | 37 | Guiding Ring | 1 |
| 13 | Air Pipe 3# (8*250mm) | 1 | 38 | Seal Ring 310 | 1 |
| 14 | Air Pipe 4# (8*220mm) | 1 | 39 | Plate Assy. | 1 |
| 15 | Quick Vent Valve | 1 | 40 | Spring Washer 10 | 1 |
| 16 | Muffler (3/8") | 1 | 41 | Bolt M10 x 22 | 1 |
| 17 | Air Pipe 5# (8*500mm) | 1 | 42 | Air Cylinder | 1 |
| 18 | Drain Hose | 1 | 43 | Upper Cover Assy. | 1 |
| 19 | Clamp | 1 | 44 | Safety Valve | 1 |
| 20 | Crusher Plate Assy. | 1 | 45 | Connector (1/4") | 1 |
| 21 | Washer M4 | 4 | 46 | Control Valve | 1 |
| 22 | Nut M4 | 4 | 47 | | |
| 23 | Plexiglass | 1 | 48 | | |
| 24 | Door Assy. | 1 | 49 | | |
| 25 | Screw M4 x 10 | 4 | 50 | | |



OPTIONAL EQUIPMENT



Brand: Ranger

Description: Oil Filter Crusher Stand

A rugged metal stand designed to fit the Ranger RP-20FC oil filter crusher for efficient fluid handling. The heavy duty stand accommodates used oil storage tanks ranging from 5 - 55-gallon sizes even when positioned on top of drum dollies. Storage tanks simply slide under to receive waste oil from the crusher downspout tube.

SPECIFICATIONS

- Overall Height: 42" / 1067 mm.
- Overall Width: 27-3/4" / 705 mm.
- Overall Depth: 17-3/4" / 451 mm.
- Unit Weight: 72 lbs. / 33 kg.



BendPak, BendPak Incorporated and Ranger Products and their respective logos are registered trademarks. Copyright 2005 BendPak Incorporated

BendPak / Ranger, 1645 Lemonwood Dr., Santa Paula, CA 93060
Tel: 1-805-933-9970 Fax: 1-805-933-9160



The best automotive service equipment on the planet.

**For Parts Or Service
Contact:**

**BendPak Inc. / Ranger Products
1645 Lemonwood Dr.
Santa Paula, CA. 93060**

**Tel: 1-805-933-9970
Toll Free: 1-800-253-2363
Fax: 1-805-933-9160**

**www.bendpak.com
www.rangerproducts.com**

